

Ounce[®]

Pistols



Start Here

Revolutionizing Concealed Carry

www.OunceOz.com



"an Ounce of prevention is worth a pound of cure"
~ Benjamin Franklin



- 10+1 semi-automatic 22LR pistol
- Simple to operate, color coded, easy to learn
- Superior convenience for conceal carry: compact size, light weight (approx 1/2 lb loaded), can't discharge when closed, doesn't imprint when carried
- May be rapidly deployed and re-closed as quickly
- Bolt/slide is enclosed – no rear “slide bite”
- Very low recoil
- Full length handle and long barrel length for better control and accuracy
- Very low barrel axis for rapid fire accuracy
- Indicator for chambered round
- Spent cartridges drop out the bottom rather than flung to side
- Easy to load magazine with no stiff spring to push against, simultaneous access to magazine cartridges
- “Racking” is done without having to pull against the main spring and uses the handle for leverage
- Locked breech design for power and cleanliness, uncommon for rimfire
- Fast tool-free access to barrel and bolt for ease of cleaning and clearing any unlikely jams

WARNING!

PLEASE READ AND UNDERSTAND THIS INSTRUCTION MANUAL BEFORE TAKING THE PISTOL OUT OF THE BOX. IT IS VITAL TO YOUR SAFETY AND TO THE SAFETY OF OTHERS THAT YOU CAREFULLY FOLLOW THE INFORMATION CONTAINED IN THIS MANUAL AS WELL AS THE INFORMATION SUPPLIED BY THE AMMUNITION MANUFACTURER. IF YOU HAVE ANY QUESTIONS, PLEASE USE THE CONTACT INFORMATION FOUND AT WWW.OUNCEOZ.COM.

STATEMENT OF LIABILITY:

FIREARMS SAFETY IS YOUR RESPONSIBILITY.
SAFETY MUST BE THE FIRST AND CONSTANT CONSIDERATION OF EVERY PERSON WHO HANDLES FIREARMS AND AMMUNITION.

WARNING!

UNCONTROLLED SHOT DISCHARGE WITH THIS PISTOL
CAN LEAD TO POSSIBLE DEATH OR SERIOUS INJURY

PISTOLS are classified as FIREARMS and are sold by us with the specific understanding that we are not responsible in any manner whatsoever for their safe handling or resale under local laws and regulations. Third Bay, LLC shall not be responsible in any manner whatsoever for malfunctioning of the firearm, for physical injury, or for property damage resulting in whole or in part from:

1. Criminal or negligent discharge,
2. Improper or careless handling,
3. Unauthorized modifications,
4. Defective, improper, hand-loaded, or reloaded ammunition,
5. Corrosion,
6. Neglect,
7. Failure to maintain and inspect device prior to use, or
8. Other influences beyond our direct and immediate control

This limitation applies regardless of whether liability is asserted on the basis of contract, negligence, or strict liability (including any failure to warn). Under no circumstances shall Third Bay, LLC be liable for incidental or consequential damages, such as loss of use of property, commercial loss, or loss of earnings or profits.

STATE-BY-STATE WARNINGS

Certain states require printing of their specific warnings:

NOT FOR SALE IN CALIFORNIA, CONNECTICUT, MARYLAND, MASSACHUSETTS, DISTRICT OF COLUMBIA (subject to change).

Connecticut: “UNLAWFUL STORAGE OF A LOADED FIREARM MAY RESULT IN IMPRISONMENT OR FINE.”

Florida: “IT IS UNLAWFUL, AND PUNISHABLE BY IMPRISONMENT AND FINE, FOR ANY ADULT TO STORE OR LEAVE A FIREARM IN ANY PLACE WITHIN THE REACH OR EASY ACCESS OF A MINOR UNDER 18 YEARS OF AGE OR TO KNOWINGLY SELL OR OTHERWISE TRANSFER OWNERSHIP OR POSSESSION OF A FIREARM TO A MINOR OR A PERSON OF UNSOUND MIND.”

Maine: “ENDANGERING THE WELFARE OF A CHILD IS A CRIME. IF YOU LEAVE A FIREARM AND AMMUNITION WITHIN EASY ACCESS OF A CHILD, YOU MAY BE SUBJECT TO FINE, IMPRISONMENT, OR BOTH. KEEP FIREARMS AND AMMUNITION SEPARATE. KEEP FIREARMS AND

AMMUNITION LOCKED UP. USE TRIGGER LOCKS.”

Maryland: “WARNING: CHILDREN CAN OPERATE FIREARMS WHICH MAY CAUSE DEATH OR SERIOUS INJURY. IT IS A CRIME TO STORE OR LEAVE A LOADED FIREARM IN ANY LOCATION WHERE AN INDIVIDUAL KNEW OR SHOULD HAVE KNOWN THAT AN UNSUPERVISED MINOR WOULD GAIN ACCESS TO THE FIREARM. STORE YOUR FIREARM RESPONSIBLY!”

New Jersey: “IT IS A CRIMINAL OFFENSE TO LEAVE A LOADED FIREARM WITHIN EASY ACCESS OF A MINOR.”

New York City: “THE USE OF A LOCKING DEVICE OR SAFETY LOCK IS ONLY ONE ASPECT OF RESPONSIBLE FIREARM STORAGE. FOR INCREASED SAFETY, FIREARMS SHOULD BE STORED UNLOADED AND LOCKED IN A LOCATION THAT IS BOTH SEPARATE FROM THEIR AMMUNITION AND INACCESSIBLE TO CHILDREN AND OTHER UNAUTHORIZED PERSONS.”

North Carolina: “IT IS UNLAWFUL TO STORE OR LEAVE A FIREARM THAT CAN BE DISCHARGED IN A MANNER THAT A REASONABLE PERSON SHOULD KNOW IS ACCESSIBLE TO A MINOR.”

Texas: “IT IS UNLAWFUL TO STORE, TRANSPORT, OR ABANDON AN UNSECURED FIREARM IN A PLACE WHERE CHILDREN ARE LIKELY TO BE AND CAN OBTAIN ACCESS TO THE FIREARM.”

Wisconsin: “IF YOU LEAVE A LOADED FIREARM WITHIN THE REACH OR EASY ACCESS OF A CHILD, YOU MAY BE FINED OR IMPRISONED OR BOTH IF THE CHILD IMPROPERLY DISCHARGES, POSSESSES, OR EXHIBITS THE FIREARM.”

Please check with your local police for additional and updated warnings which may be required by local law or regulation. Such regulations change constantly, and local authorities are in the best position to advise you on such legal matters.

AMMUNITION

Always use only the proper caliber of factory-loaded ammunition in the pistol.

LEAD WARNING

The pistol was test fired at the factory, and there may be residual lead that remains. Always wash your hands thoroughly after shooting, handling, or cleaning the pistol.

STORAGE

A padlock is provided to aid in safe storage of the pistol when not in use. Pictures and instructions for locking the pistol are found on the following pages. It is your responsibility to ensure safe storage and operation of the pistol.

SAFE OPERATION OF THE OUNCE® PISTOL DEPENDS ON THE OPERATOR, PLEASE TAKE THE TIME TO BECOME FULLY FAMILIAR AND CONFIDENT WITH ALL OF THE OPERATIONAL FUNCTIONS OF THE UNIQUE OUNCE® PISTOL DESIGN AND THESE SAFETY GUIDELINES BEFORE LOADING AMMUNITION.

Below is not an exhaustive list. It's advised that the user be familiar with safely operating a conventional semi-automatic handgun before learning to use the unique Ounce® pistol design.

GENERAL

- Always point the muzzle in a safe direction, including when opening and closing the Ounce® pistol
- Always treat as loaded and ready to fire
- Get professional training in gun safety, handling, operation and legal requirements prior to using
- Wear proper eye and ear protection
- Keep finger out of the trigger guard until safely aimed and ready to shoot
- Do not submerge, do not operate while or after submerged
- Keep gun clean, dry, properly lubricated and maintained. Do not operate if any sand, dirt or other foreign matter have penetrated the device.
- Only use proper caliber ammunition, inspect ammunition for defects

and reject if found

- Know your target and what is beyond
- Never use or carry while under the influence of drugs or alcohol or while your health is otherwise compromised
- Never allow someone who is not thoroughly trained in Ounce pistol's use and familiar with the contents of this manual to use pistol
- Never leave unattended when not properly secured and stored
- Never rely on the chamber indicator alone to ensure that the firearm is unloaded.

OPERATION

- Become fully acquainted and comfortable with operating the device (opening, closing, presetting for chambering, chambering, opening/closing magazine lid, resetting hammer, removing and reinstalling frame cover, removing and reinstalling barrel and bolt, locking) before loading for the first time
- If the rear sights are not aligned check to make sure the magazine lid is properly secured before operating
- Never pass a knuckle through the trigger guard, use only the finger tip to pull trigger
- Use two hands to open and close the device for greater control and safety
- Keep fingers behind the trigger

guard area

- Do not touch the barrel assembly when firing the pistol or manipulating the handle as the barrel can pinch while moving
 - Spent casings exit the bottom of the handle and are hot – do not use a “tea cup” method of holding the gun with a hand below the bottom of the handle
 - Ensure all spent casings are out of the handle before closing
 - Pay close attention to the forces and sounds made when operating the device, if something sounds or acts abnormally carefully inspect the device before continuing operation.
- Squib rounds (low energy round where bullet doesn't escape the barrel) are rare but can be dangerous as a

subsequent round is facing a plugged barrel as one example

- The percussive wave out of the end of the barrel is extremely dangerous, do not fire with the barrel exit (muzzle) near head or ears

DEVICE

- Inspect frequently, discontinue use if any cracks, excessive wear or other structural defects are noted
- Never reinstall the barrel with a live round chambered
- Take care not to drop the barrel assembly or gun. If the gun is dropped in the closed state cycle the chamber to ensure the mechanisms are properly set.
- Not all cartridges are visible in the magazine, the gun may still be loaded with a round in the chamber after unloading the magazine. **ALWAYS VERIFY THE GUN HAS BEEN PROPERLY DE-CHAMBERED** when unloading

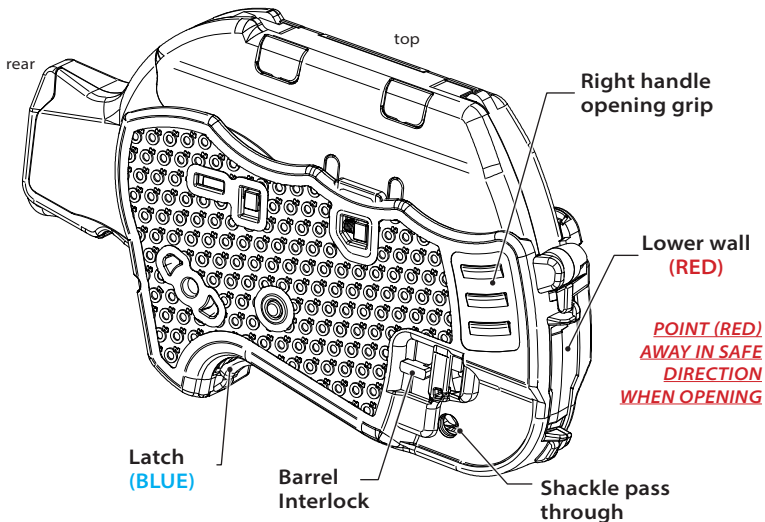
OUNCE® PISTOL OPERATION

Following the overview diagrams are figures describing the following procedures and operations:

1. Opening and closing the Ounce® pistol
2. Unloading
3. Locking for storage
4. Removing the barrel for cleaning, inspecting, jam clearance
5. Reassembling
6. Loading
7. Chambering

Practice 1-5 to become proficient before moving on to loading and chambering. Always point in a safe direction.

CLOSED: viewing from right side



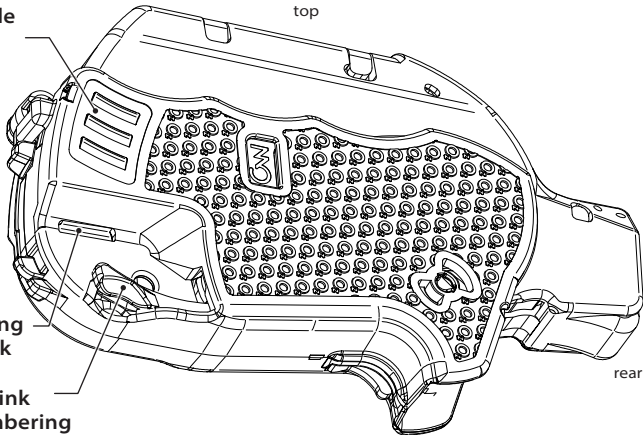
CLOSED: viewing from left side

Left handle
opening
grip

top

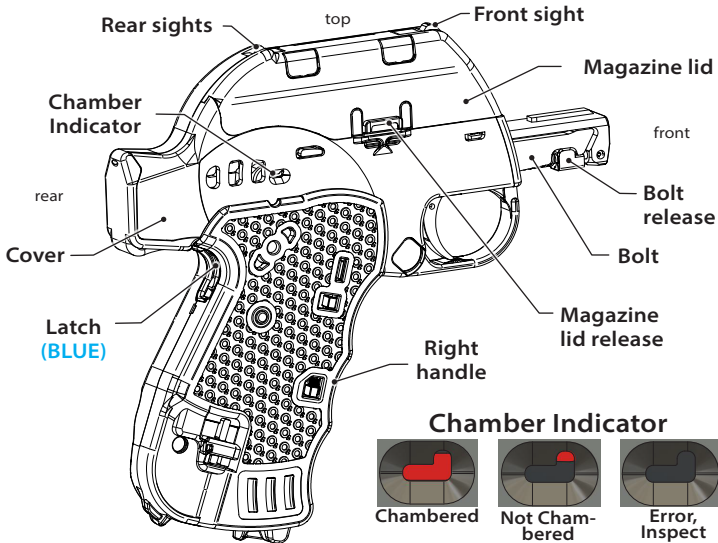
Chambering
slot for link

Handle link
for chambering

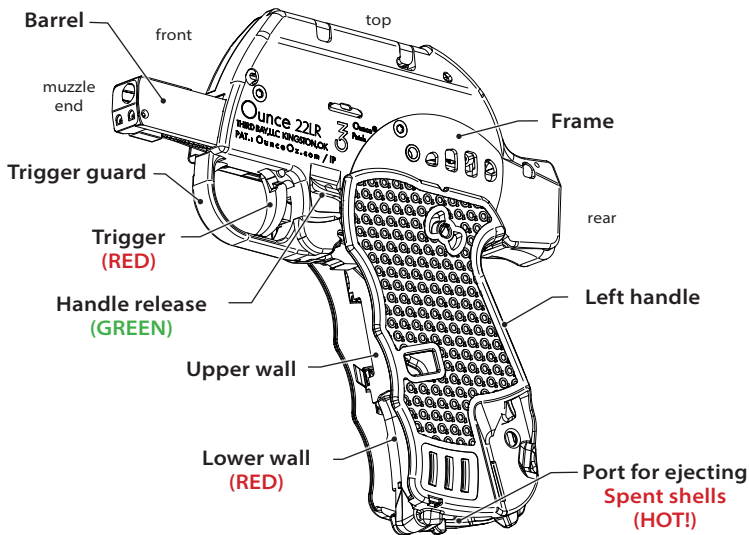


rear

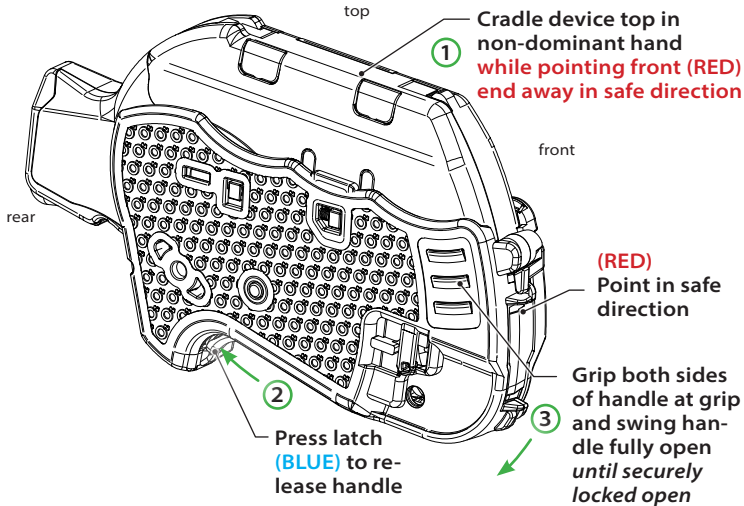
OPEN: viewing from right side



OPEN: viewing from left side



OPENING



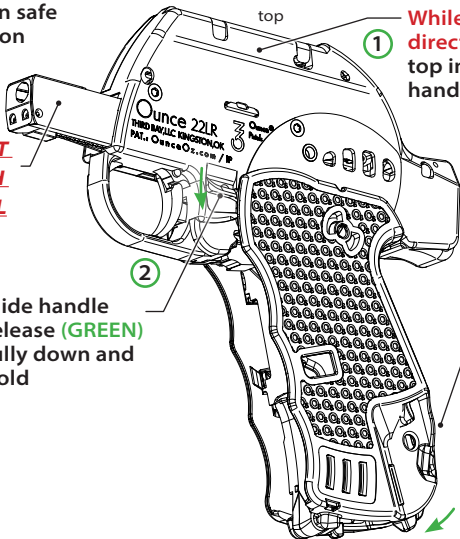
CLOSING

Point in safe direction

front

DO NOT TOUCH BARREL

Slide handle release (GREEN) fully down and hold



1 While pointing in a safe direction, cradle device top in non-dominant hand

rear

Swing handle to fully closed, letting go of handle release as handle swings past

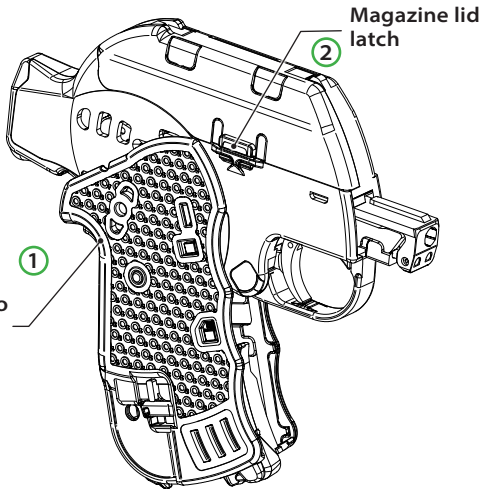
3 **If unusual resistance is felt STOP and check for un-ejected shells and clear system**

UNLOADING Step 1: open magazine

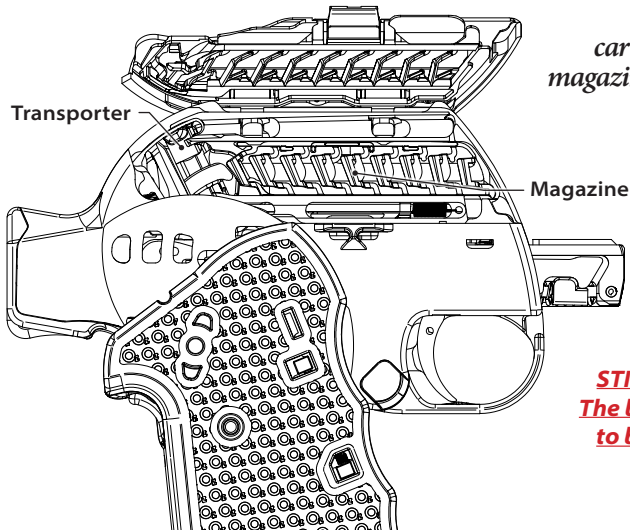
Open handle to neutral position.

Open magazine lid by pressing latch and sliding up. When magazine lid latch clears the cover, flip magazine lid open.

Handle rotated to neutral position as shown



UNLOADING Step 2: remove all cartridges



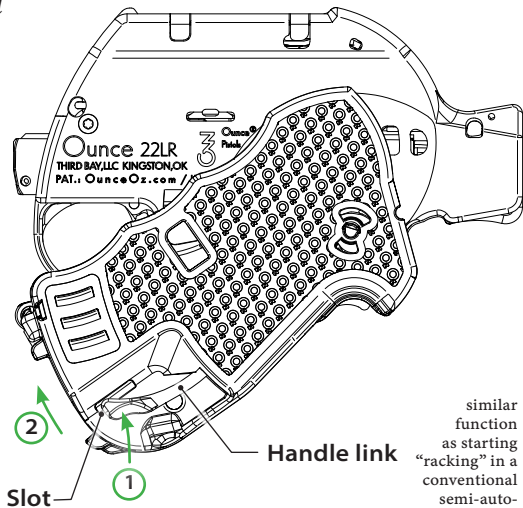
Remove all cartridges from magazine including transporter.

STILL LOADED!
The barrel needs to be unloaded next

UNLOADING Step 3: close to set for extraction/chambering

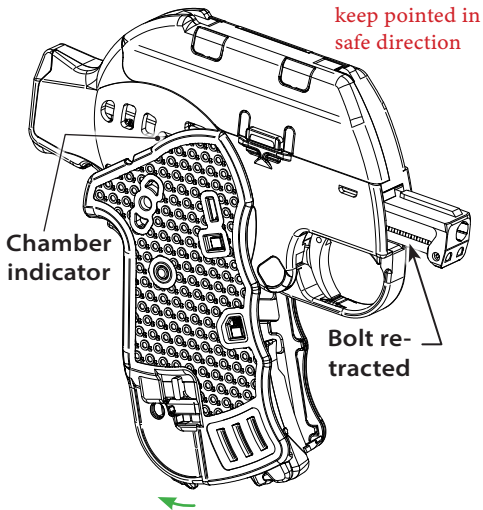
Swing the handle and handle link into the positions shown.

*While pressing and holding the handle link tip into the slot, **close** the handle then **release** the handle link (never hold the handle link in slot while opening the handle, only while closing).*



similar function as starting "racking" in a conventional semi-automatic pistol

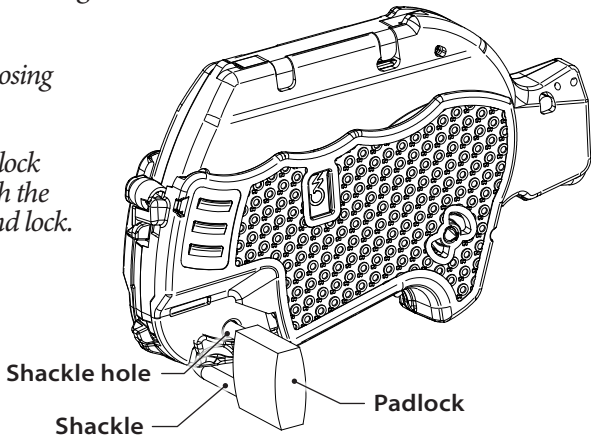
UNLOADING Step 4: open to extract and chamber



With the handle link released press the blue latch and swing the handle open swiftly and continuously. If done properly you will notice the bolt lagging behind the barrel as the barrel extends. At the end of the handle motion the bolt will cycle forward, expelling any round extracted from the barrel chamber, sending it out below. Check the chamber indicator with device open and bolt forward.

LOCKING

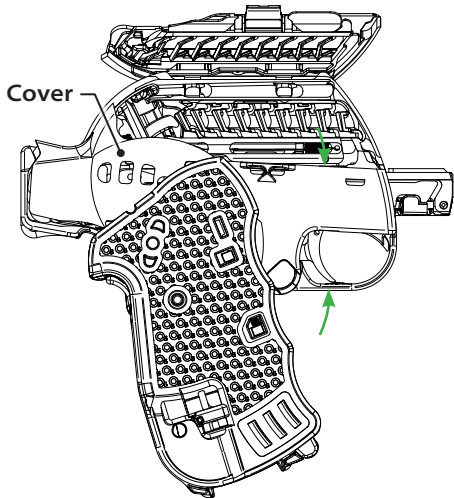
1. Follow the unloading procedure.
2. Follow the closing procedure.
3. Pass the padlock shackle through the shackle hole and lock.



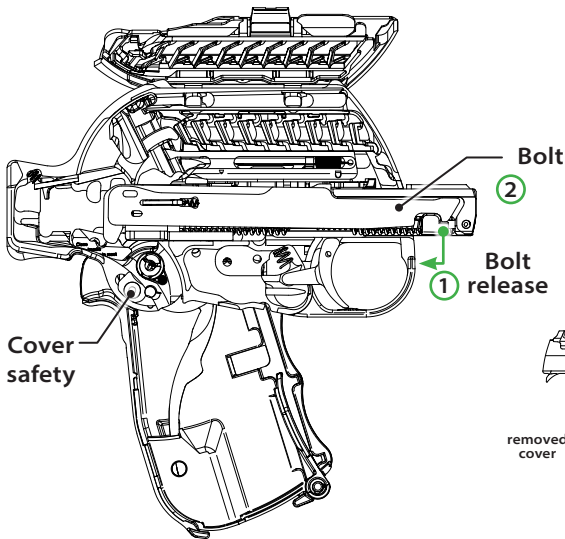
For cleaning, inspection, and jam clearing the cover, bolt and barrel must be removed from the frame. The following pages describe this procedure. With practice the procedure takes seconds and may be done without the aid of tools. Take the time to be practiced at this prior to loading live ammunition. See also video demonstrations at OunceOz.com.

REMOVE BARREL Steps 1, 2: unload, unlock and remove cover

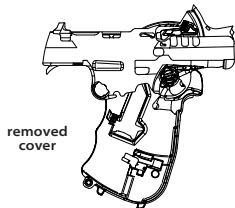
- 1. Follow unloading procedure. Handle should be in neutral position as shown.*
- 2. Rotate cover by several degrees clockwise, then lift off frame.*



REMOVE BARREL Step 3: remove bolt

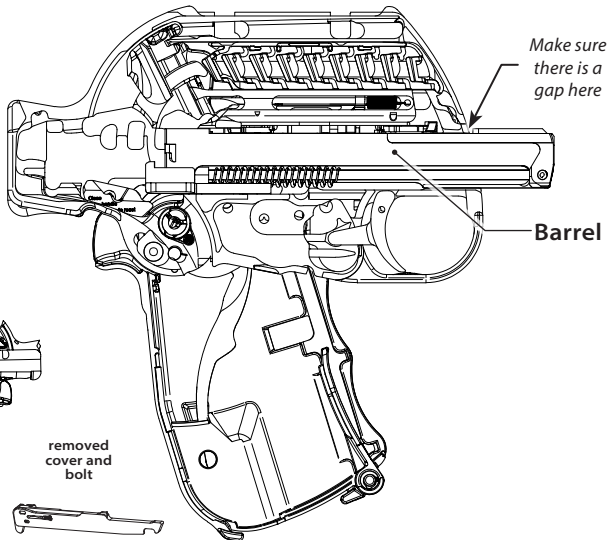


Push bolt release toward rear, then lift bolt off of barrel.

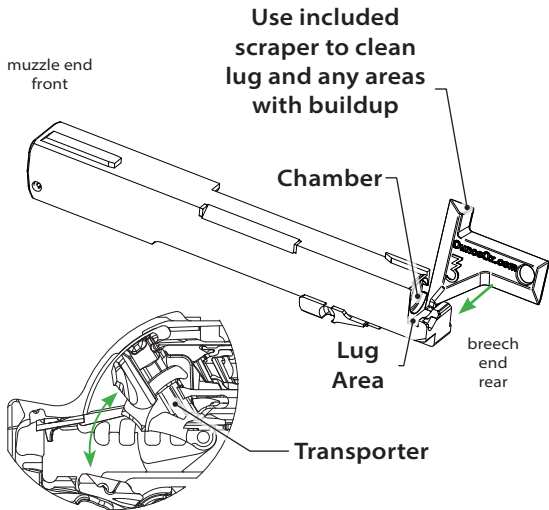


REMOVE BARREL Step 4: remove barrel

Lift barrel out of frame. If resistance felt lift rear of barrel away from frame and slide forward then remove.



REASSEMBLE Step 1: inspect and clean barrel



Inspect barrel, lug, chamber, and bore from breech end.

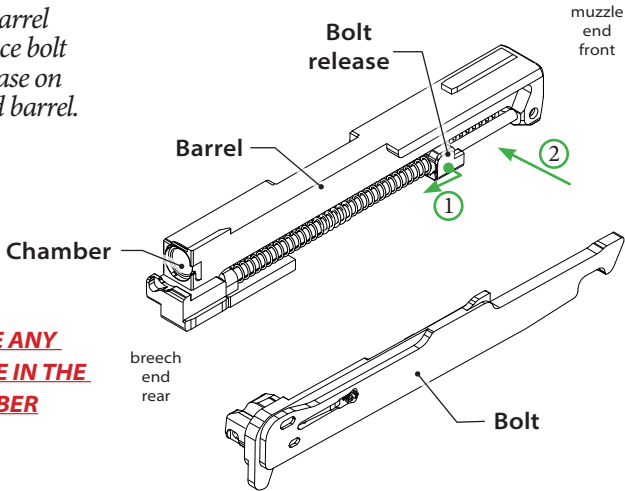
Remove any cartridge from chamber.

If fouled, clean lug. Clean barrel bore with .22 caliber cleaning rod or similar device.

Exercise transporter up and down while pressing gently into frame

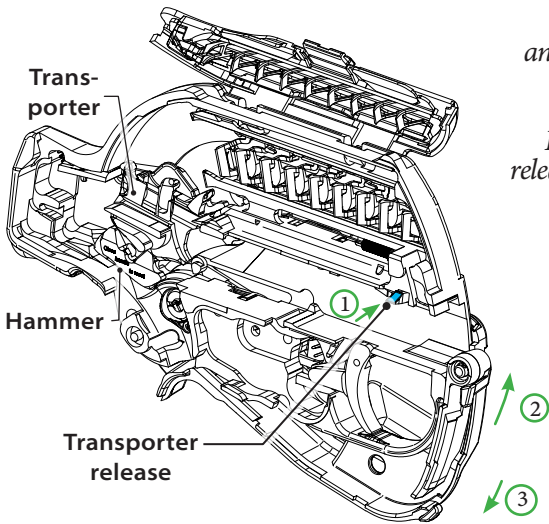
REASSEMBLE Step 2: add bolt to barrel

Push bolt release a bit toward barrel rear and place bolt over the release on the inspected barrel.



**REMOVE ANY
CARTRIDGE IN THE
CHAMBER**

REASSEMBLE Step 3: reset transporter and hammer if needed



If the hammer is up and/or the transporter is down:

Press the transporter release in to de-energize the transporter.

Close the handle to reset the system. Return handle to neutral.

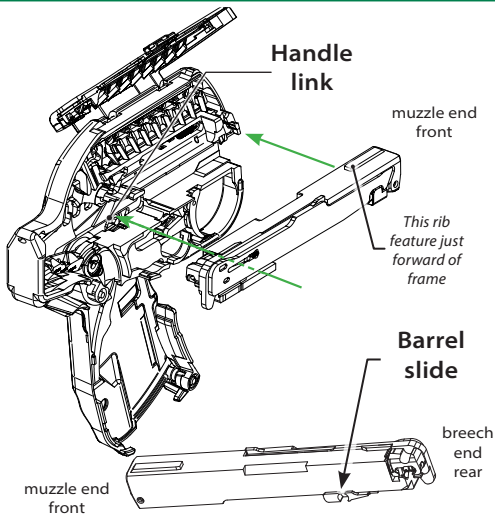
Verify that the hammer is down and transporter is fully up.

OPERATION

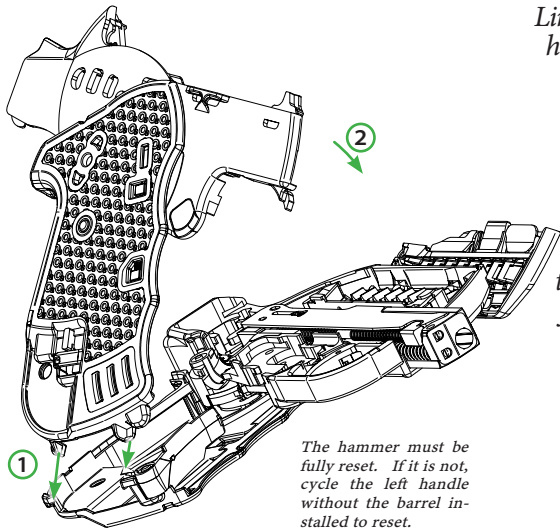
REASSEMBLE Step 4: load barrel assembly into frame

Make sure handle is lined up at neutral.

*Line up the round hole on the barrel slide to the round top of the handle link and install the barrel assembly into the frame. Make sure the barrel and bolt assembly is fully seated against the frame. **Sliding the handle release down and/or rotating the handle back and forth may ease this.***



REASSEMBLE Step 5: insert cover assembly



Line up posts on right handle with the slots on the left handle and insert with the two handles at an angle.

Rotate the right handle down until the cover is over the frame, as shown in the next figure.

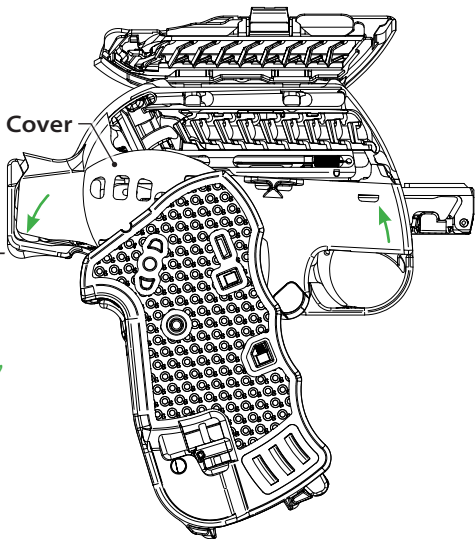
The hammer must be fully reset. If it is not, cycle the left handle without the barrel installed to reset.

REASSEMBLE Step 6: lock cover to frame

Press cover against frame in the orientation shown and rotate several degrees counter clockwise to secure and align the cover to the frame.

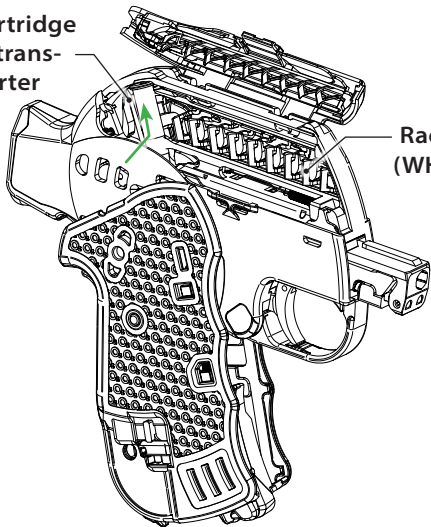
*If there is excess resistance, check to make sure the barrel was properly installed fully against the frame in the previous step, **sliding the release lever down may ease this.** If there is still resistance, check that the hammer is reset.*

Close magazine lid.



LOADING Step 1: load one round into transporter

Cartridge
in trans-
porter



Ratchet
(WHITE)

Open to the neutral state then open the magazine lid.

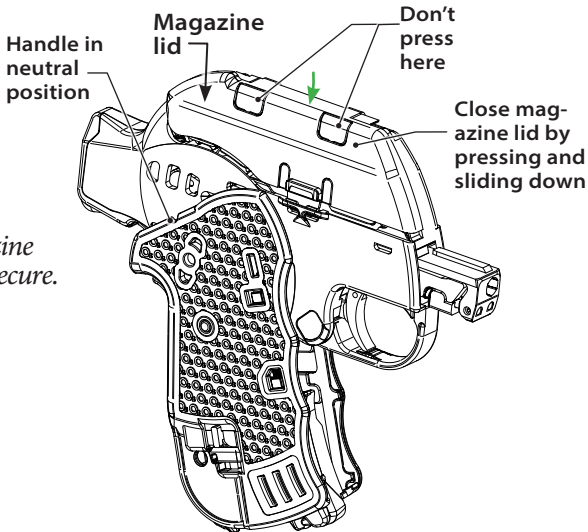
Install a cartridge into the transporter slot, pressing against the transporter and up against frame.

More rounds may be added now or after chambering a round. Slide the ratchet to the front to ease installation if adding cartridges to magazine.

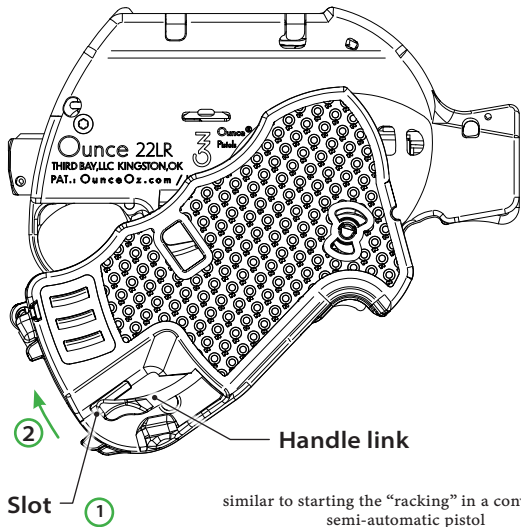
LOADING Step 2: close magazine lid

Swing the magazine lid over the top and insert the magazine latch behind the cover.

Slide the magazine lid down until secure.



LOADING Step 3: closing to set for chambering a cartridge



Swing the handle and handle link into the positions shown.

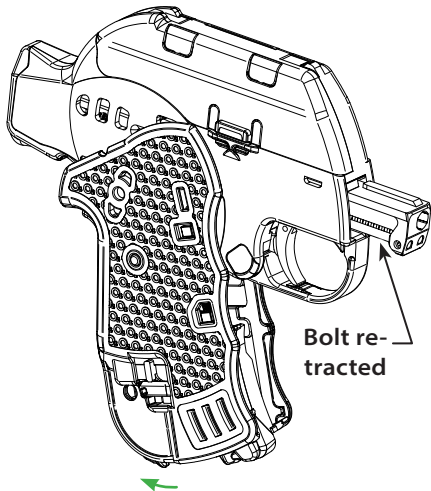
While pressing and holding the handle link tip into the slot, **close** the handle then **release** the handle link (**never hold the handle link in slot while opening the handle, only while closing**).

similar to starting the “racking” in a conventional semi-automatic pistol

LOADING Step 4: open to chamber round

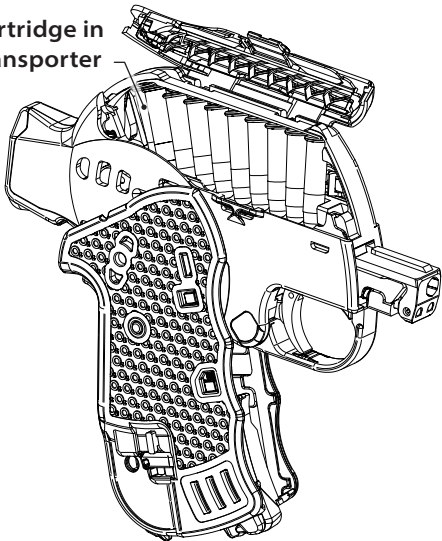
With the handle link released, depress the blue latch then swing the handle open smoothly and swiftly with a continuous motion.

If done properly, you will notice the bolt lagging behind the barrel as the barrel extends with slightly more resistance than normal. At the end of swinging the handle the bolt should cycle forward, chambering a round and expelling any extracted round that had been chambered.



LOADING Step 5: fill magazine

Cartridge in transporter



Load the magazine with the desired number of rounds: Put handle in neutral position and open magazine lid.

Gently move the ratchet (WHITE) toward the front of the device if needed to ease loading. Install up to 10 rounds: 1 in transporter, 9 in ratchet. Load from rear forward.

Close the magazine, ensuring its lid is seated and latched.

FOLLOW ALL SAFETY GUIDELINES
WHILE USING THESE TIPS

Usage

1. Make sure the handle is fully open and **locked** before acquiring a target.
2. Hold the pistol with a firm but not crushing grip.
3. Before closing, make sure the handle is clear of spent shell casings. If you feel resistance on closing, STOP, check for a missed spent shell in the handle.
4. Spent casings exit out the bottom, they are hot! Don't "tea cup" the handle and make sure your fingers are clear of the exit port.
5. When loading the magazine and the handle at neutral, you may gently slide the white ratchet springs to the front to make aligning cartridges easier.
6. When loading and chambering, load 1 round into the transporter, chamber the round, then fill the magazine with the handle at neutral. When unloading, first empty the magazine and transporter (again at neutral), then de-chamber the round. Attempting to dechamber with rounds in the magazine will result in a cartridge still being chambered.
7. Don't force it. If something feels stuck or unusual take the time to go

through the barrel removal, hammer/transporter reset, and reinstall process, and investigate what is causing the hangup. Normally any unlikely issue that may occur is cleared quickly by following this process.

8. Never hold the handle link in the slot while opening.

Ammo

1. Use ammo within all SAMMI specifications for 22LR. Dimensionally shorter or longer could cause reliability issues. 24.13 - 25.4 mm length.
2. Lead rounds will tend to foul more quickly than copper plated. Inspect the barrel for lead build up.
3. Keep ammo dry. This is especially important for ammo that is stored loosely in its shipping packaging.
4. For optimal performance use clean and dry, recently manufactured rounds that have not been cycled through a device multiple times.
5. For the latest recommendations: www.OunceOz.com/ammunition

1. What ammunition is recommended? Most non-“quiet” rounds from reputable manufacturers should have adequate momentum to cycle the mechanisms. Request 22LR ammunition designed for semi-automatic pistol use and inspect before installing.

Examples:

- a. Federal Punch® 22LR #PD22L1 for conceal carry
- b. Federal Champion® 22LR #510
- c. Federal Automatch® 22LR #AM22
- d. CCI® Standard Velocity 22LR #35

Do NOT use:

- a. subsonic ammo
- b. dirty, deformed, wet, old, or oth-

- erwise defective ammunition
- c. CCI® Velocitor® HP 22LR #47 (intended for rifles)
- d. CCI® MeatEater 22LR #925CC

see OunceOz.com/Ammunition for the latest recommendations

2. Given the spent casings exit the bottom, can I shoot the device upside down or sideways? Yes, though it is recommended that the handle be emptied of the spent shell between firings to keep it from possibly interfering with the mechanisms.

3. Can the Ounce® pistol be dry fired? As a safety precaution dry firing is not recommended, however, it

is possible to dry fire Ounce® pistol. Use caution that the chamber, transporter and magazine do not have active rounds in them. Cycle the handle to reset the hammer between dry firings and re-check that the chamber indicator shows empty (red high and not low in indicator) before dry firing. The handle does not need to go all the way closed to reset the hammer. At the point the handle fully occludes the trigger guard, the hammer should be reset. **Always point in a safe direction when dry firing - treat as loaded!** You'll notice more resistance closing the handle after dry firing as the motion is acting to reset the hammer. Do not dry fire without the barrel and bolt installed.

4. Is it possible to set the system to chamber while closed? Yes, slide the barrel interlock down and hold (to free the barrel) then press the handle linkage up to the chambering slot and release both.

5. I pulled the trigger with the cover off and now I can't get the cover back on, how do I fix this? With the cover off and the barrel out close the handle to reset the hammer, this frees the cover safety that is preventing the cover from seating.

6. Where is this updated?
OunceOz.com/Using-Ounce



MAINTENANCE

1. Prior to each use, inspect the frame and other critical components for cracks, excessive wear, carbon build up or other defects. Do not use if any defects are found.

2. Barrel/Bolt: Periodically unload, remove, and separate the bolt from the barrel. Inspect the bore for any lead build up. If needed clean the bore before re-using as lead build up can lead to inaccuracy or even a potentially dangerous situation. Inspect the chamber, cleaning as needed with an appropriately sized cleaning device designed for 22LR. A dirty chamber can lead to reliability issues.

43 3. Clean the lug at the breech end of

the barrel and bolt using the included scraper every 500 rounds to ensure proper seating and clearance for the firing pin.

4. Using the scraper clean walls behind the transporter then manually exercise the transporter up and down pressing against the frame wall until it moves freely.

5. Periodically clean the frame and cover in the barrel slide region as needed, removing residue.

6. Replace the white magazine spring if issues chambering the last round are observed.

see also OunceOz.com/maintenance

10+1 round capacity semi-automatic chambered for 22LR

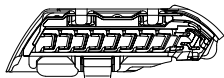
METRIC

- 219 g empty
- 246 g loaded (ammunition dependent)
- 95 mm barrel length
- 121 x 75 x 22 mm when closed
- 145 x 135 x 21 mm when open

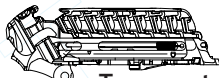
IMPERIAL

- 7 3/4 Oz empty
- 8 2/3 Oz loaded (ammunition dependent)
- 3 3/4 in barrel length
- 4 3/4 x 3 x 7/8 in when closed
- 5 3/4 x 4 3/4 x 7/8 in when open

Primary Assemblies



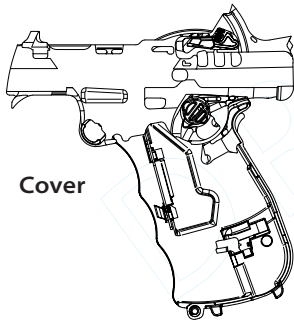
Magazine Lid



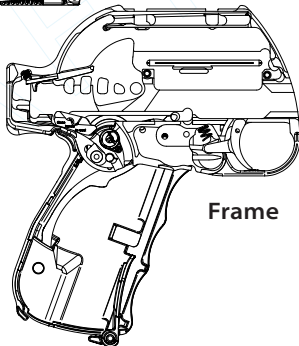
Transport



Barrel



Cover



Frame

For the very latest information, including manual updates, accessories, parts lists, and videos please visit the website:

www.OunceOz.com

WARRANTY INFORMATION

Third Bay, LLC is committed to customer satisfaction. While no specific warranty is presented, we stand behind the product and will work to help ensure a positive experience and exceed any and all legal requirements. Please visit the website to see if your issue already has a resolution. If you are unable to resolve, please check the website for contact information.

Do not send the pistol without first contacting Third Bay, LLC for a return authorization. *Shipments without return authorization will not be accepted.*

